

VISION LINE

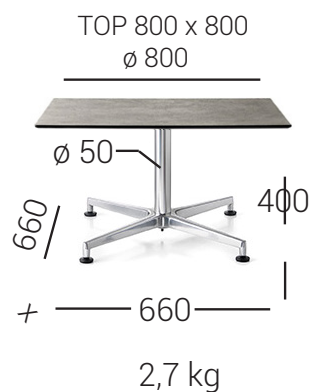
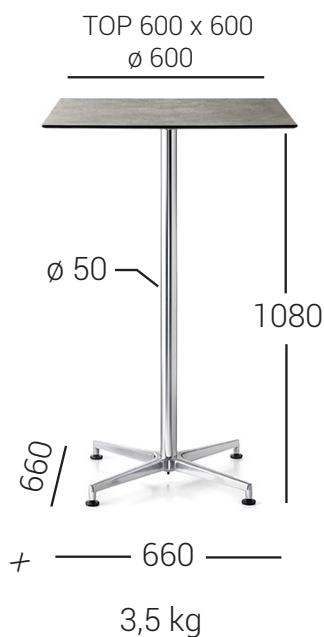
# BASE VISION

Base in painted die-cast aluminum composed of a round section extruded aluminum column, aluminum "star" cruise cast.

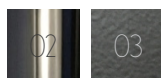


## STANDARD HEIGHTS

dimensions in millimeters

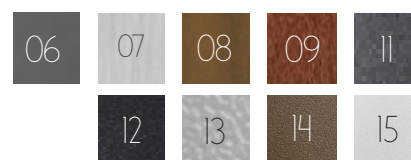


Standard aluminum finishes



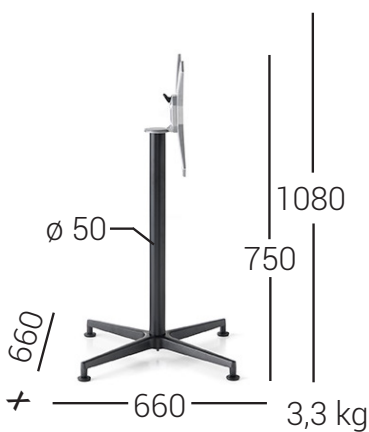
\* 02. Polished aluminum  
03. Orange peel black

Painting finishes Special PF



\*06. Wrinkle grey, 07. Industrial aluminum, 08. Corten, 09 Rust,  
11. Graphite grey, 12. Carbon black, 13 Orange peel aluminium,  
14. Wrinkle cappuccino, 15. Wrinkle white.

FOLDING VISION TO BRING THE PIANO IN AXIS FOR H 730 AND H 1080



\* see ['Warranty, maintenance and assistance'](#)

N.B: top measurements are indicative or recommended by PF STILE  
N.B: the industrial finishes are made with artisan procedures and there can be variations in color from production to production

# TECHNICAL DETAILS

- Die-cast painted aluminum base
- Extruded painted aluminum column
- 'Star' cruise in die-cast painted aluminum
- Transparent, matt polyester anti-fingerprint opaque varnishing
- Mechanism for bringing the plane into a vertical axis
- 4 plug-in caps

## EXTRAS

- Painting in any RAL color
- Exterior finish\*
- Single cardboard packaging

\* see ['Warranty, maintenance and assistance'](#)

**N.B:** top measurements are indicative or recommended by PF STILE

**N.B:** the industrial finishes are made with artisan procedures and there can be variations in color from production to production